

Sony recommends Windows Vista™ Home Premium.

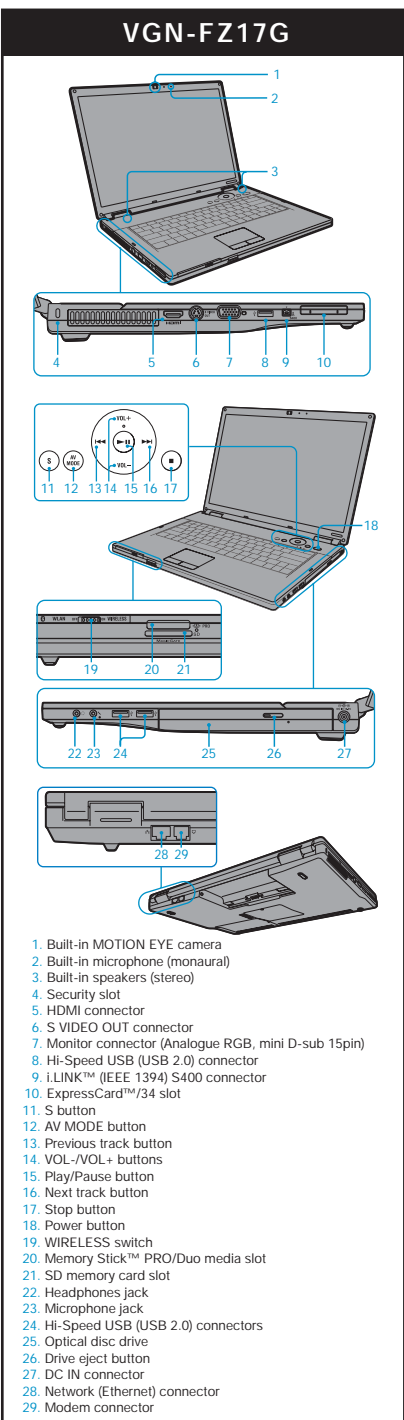
Specifications

Model	VGN-FZ17G	
Processor Technology	Intel® Centrino® Duo Processor Technology • Intel® Core™2 Duo Processor T7300 (2GHz) ^{1,2} • Intel® PRO/Wireless 3945ABG Network Connection • Mobile Intel® PM965 Express Chipset	
OS	Genuine Windows Vista™ Home Premium (English version) with Traditional Chinese Language Pack	
Chipset	Mobile Intel® PM965 Express Chipset	
Processor System Bus	800MHz	
Memory Bus	667MHz	
Cache Memory	4MB Advanced Smart Cache	
Main Memory	Pre-installed / Max	1GB*3 (upgradeable up to 2GB)
	SO-DIMM slots	2 SO-DIMM slots (The pre-installed memory module uses one)
Hard Disk Drive	Drive	160GB (HDD recovery storage max: 8GB ⁴ , C: Remain) Serial ATA, 5400rpm
	Drive	DVD±RW/±R DL/RAM Drive
Optical Disc Drive	Maximum Reading Speed	DVD+R: 8x (Single Layer), 6x (Double Layer) / DVD-R: 8x (Single Layer), 6x (Dual Layer) / DVD+RW: 8x / DVD-RW: 8x / DVD-ROM: 8x / DVD-RAM: 5x / CD-ROM: 24x / CD-R: 24x / CD-RW: 24x
	Maximum Writing Speed	DVD+R: 8x (Single Layer), 4x (Double Layer) / DVD-R: 8x (Single Layer), 4x (Dual Layer) / DVD+RW: 8x / DVD-RW: 6x / DVD-RAM: 5x / CD-R: 24x / CD-RW: 16x
Graphics Accelerator	NVIDIA® GeForce® 8400M GT notebook graphics processing unit (GPU)	
Total Available Graphics Memory (Max) ⁵	383MB	
Display	15.4" Wide (WXGA: 1280 x 800) TFT Colour display (Clear Bright High Colour LCD 90)	
Interfaces	USB	High Speed USB 2.0 x 3
	i.LINK (IEEE 1394)	4pin (S400) x 1
	Network (RJ-45) Connector	10Base-T/100Base-TX x 1
	Display Output Connector	Analogue RGB, mini D-sub 15pin x 1
	S Video In/Out Connector	Output x 1
	Headphone	stereo mini jack x 1
	Microphone	stereo mini jack x 1
	HDMI Connector	Output x 1
	Modem	V.92 and V.90 Compliant x 1
	Memory Stick Slot	Memory Stick (Standard/Duo Size compatible, MagicGate compatible, Memory Stick PRO compatible, High-speed data transfer compatible) ⁶
	SD Memory Card Slot	SD Memory Card ⁷ (SDHC compatible, MMC compatible)
	DC IN	x 1
Wireless Connection	Wireless LAN	• Integrated Wireless LAN IEEE 802.11a/b/g ⁸ • Intel® PRO/Wireless 3945ABG Network Connection • Data rate: maximum 11Mbps (802.11b) / 54Mbps (802.11a/g) ⁹ • Frequency: 5GHz (802.11a), 2.4GHz (802.11b/g)
	Bluetooth	Bluetooth standard Ver. 2.0+EDR
Compatible Memory Cards	• Memory Stick (Standard/Duo Size compatible, MagicGate compatible, Memory Stick PRO compatible, High-speed data transfer compatible) • SD Memory Card (SDHC compatible) • Multi Media Card	
PC Card Slot	ExpressCard™/34 x1	
Camera	• Effective Pixels: 640 x 480 • Image Device: 1/6" VGA CMOS sensor • Lens: 2 elements in 2 groups F2.8 • Focus distance: f=2.45mm	
Audio	• DSD compatible high quality sound chip: "Sound Reality" (Intel® High Definition Audio compatible) • 3D audio (Direct Sound 3D support) • Built-in stereo speakers • Built-in monaural microphone	
Keyboard / Input Device	• Approx. 19mm key pitch / 2mm keystroke • 82 keys • Intelligent Touchpad	
Battery	Bundled Battery	VGP-BPS8 Lithium-ion battery: up to 2.5 hours of use
	Optional Long Battery	VGP-BPL8 Lithium-ion battery: up to 4 hours of use
Dimensions (W x H x D)	355.8 x 24.9 - 34.5 x 254.4mm	
Weight	2.7kg (including the supplied battery)	
Included Software	• AV Entertainment: Windows® Media Center, Image Converter 3 • Video Edit/Playback: VAIO Video & Photo Suite 1.1, Adobe® Premiere® Elements 3.0, VAIO Edit Components 6.2, WinDVD for VAIO 8.0 • DVD Creation: Click to DVD 2.6 • Music: SonicStage CP 4.3, SonicStage Mastering Studio 2.3, SonicStage Mastering Studio Audio Filter 2.3, DSD Direct Player 1.0 • Still Image/Photo: Windows® Photo Gallery, Adobe® Photoshop® Elements 5.0 (Installer) • Home Networks: VAIO Media 6.0 • Tool: Roxio Easy Media Creator 9.0, Adobe® Reader® 8, Norton Internet Security™ 2007 ¹¹ • Utilities: VAIO Control Center 2.0, VAIO AV Mode Launcher 1.0, VAIO Camera Utility 2.0, VAIO Camera Capture Utility 2.2 • Support: VAIO Recovery Utility, VAIO Update 3.0, VAIO Hardware Diagnostics 3.3	
Supplied Accessories	• AC Adaptor (VGP-AC19V24) • Lithium-ion battery (VGP-BPS8) ¹²	
Warranty	One year ¹³	

Features and specifications are subject to change without notice.

*1 CPU speed will be reduced under certain operating conditions. *2 Intel® Virtualization Technology is not supported on VAIO. *3 If memory modules of the same capacity are installed to both of the two memory module slots, computer will run in dual channel mode and provide better performance. *4 Necessary data for recovery (setting back to initial shipment settings) in the hard disk drive consuming approximately 8GB in size is available separately. *5 Total Available Graphics Memory refers to the new Windows Vista™ classification of graphics memory, which is the total of Dedicated Video Memory, System Video Memory and Shared System Memory. *6 Compatibility confirmed with Sony branded "Memory Stick" media only. *7 The copyright protection and high-speed data transfer features of the SD memory card are not supported. *8 The maximum communication distance can vary depending on the obstacles or the distance between the communication devices, the radio waves, the operating system or the software being used. *9 The communication speed varies depending on the distance between communication devices, existence of obstacles between such devices, the device configuration, the radio conditions, and the software in use. In addition, communication may be cut off depending on the radio conditions. *10 Estimated battery life (under JETTA Battery Run Time Measurement Method ver. 1.0). Actual battery life may vary with different operating conditions and settings. For further details, please visit vaio-online.sony.com. *11 Free use of 90 days. Further update will be charged. *12 This product may only function with a genuine Sony battery designed for this model. *13 Warranty conditions may vary by region.

The trademarks, including but not limited to "SONY", "VAIO", "Memory Stick" and "SonicStage" are either trademarks or registered trademarks of Sony Corporation and/or its subsidiaries. Adobe, Adobe Photoshop, Adobe Reader and Adobe Premiere are trademarks of Adobe Systems Incorporated in the United States and/or other countries. Intel, the Intel logo, Centrino and the Centrino logo, Intel Core and Core Inside are trademarks or registered trademarks of Intel Corporation or its subsidiaries in the United States and other countries. Windows, Windows Vista and the Windows logo are trademarks or registered trademarks of Microsoft Corporation in the United States and/or other countries. All other product and brand names may be trademarks or registered trademarks of their respective owners. Whilst information given is true at time of printing, small production changes in the course of our company's policy of improvement through research and design might not necessarily be included in the specifications. E.O.E. Actual models may differ slightly in appearance to illustrations provided.



SONY



Intel® Centrino® Duo Processor Technology

VAIO FZ

VGN-FZ17G



Share the pleasure of eye-pleasing refinement



Optional Accessories for VGN-FZ17G (availability depends on region)

VGP-BPL8
Lithium-ion Battery (L)

- Rechargeable Battery
- Up to 4 hours of use¹⁰




VGP-SP100
2.1ch Amplified Speakers

- Unparalleled multimedia experience
- Easy connectivity via USB 2.0
- 1.2W Subwoofer plus bass balance



VGP-BMS33
Silver (S), Black (B)
Bluetooth® Laser Mouse

- Smart wireless mouse for mobile use
- Highly accurate laser sensor
- Innovative PTFE sole for precise operation
- Sensor resolution: 800 dots per inch



VGP-CP12
Carrying Pouch

- Slim, lightweight pouch sized for VAIO FZ
- Handy zip fastener and stylish VAIO Logo
- Polyurethane for scratch and dust protection




VGP-MBC20
Black (B), Gray (H)
Carrying Bag

- Smart protection with style
- Luxurious, abundant space
- Retractable handle for portable ease



VGP-UMS55
Silver (S), Black (B)
USB Laser mouse

- Ergonomic design naturally fits your hand
- Highly accurate laser sensor
- Innovative PTFE sole for precise operation
- Sensor resolution: 800 dots per inch



vaio-online.sony.com



VAIO
no more bounds

like.no.other

