

SONY



Intel® Centrino® Duo Processor Technology

VAIO SZ

Premium

VGN-SZ483N/C



Intelligent mobility with premium style.

Specifications

Model	VGN-SZ483N/C
Processor Technology	Intel® Centrino® Duo Processor Technology • Intel® Core™2 Duo Processor T7400 (2.16GHz) ^{1,2} • Intel® PRO/Wireless 3945ABG Network Connection • Intel® 945GM Express Chipset
OS	Genuine Windows Vista™ Business (English version) with Traditional Chinese Language Pack
Processor System Bus	667MHz
Memory Bus	533MHz
Cache Memory	4MB Advanced Smart Cache
Main Memory	Pre-installed / Max 2GB ³ (upgradeable up to 2GB)
SO-DIMM slots	2 SO-DIMM slots (The pre-installed memory module uses two)
Hard Disk Drive	160GB (HDD recovery storage max. 7GB ⁴ , C: Remain) Serial ATA, 5400rpm
Drive	DVD±RW/±R DL/RAM Drive
Optical Disc Drive	Maximum Reading Speed DVD+R: 8x (Single Layer), 6x (Double Layer) / DVD-R: 8x (Single Layer), 6x (Dual Layer) / DVD+RW: 8x / DVD-RW: 8x / DVD-ROM: 8x / DVD-RAM: 5x / CD-ROM: 24x / CD-R: 24x / CD-RW: 24x Maximum Writing Speed DVD+R: 8x (Single Layer), 4x (Double Layer) / DVD-R: 8x (Single Layer), 4x (Dual Layer) / DVD+RW: 8x / DVD-RW: 6x / DVD-RAM: 5x / CD-R: 24x / CD-RW: 16x
Graphics Accelerator	NVIDIA® GeForce® Go 7400 notebook graphics processing unit (GPU) (SPEED MODE) / Intel® Graphics Media Accelerator 950 (STAMINA MODE)
Total Available Graphics Memory (Max)⁵	335MB (SPEED MODE) / 224MB (STAMINA MODE)
Display	13.3" Wide (WXGA: 1280 x 800) TFT Colour display (Clear Bright LCD: White LED)
USB	High Speed USB 2.0 x 2
i.LINK (IEEE 1394)	4pin (S400) x 1
Network (RJ-45) Connector	10Base-T/100Base-TX x 1
Display Output Connector	Analogue RGB, mini D-sub 15pin x 1
Headphone	stereo mini jack x 1
Microphone	stereo mini jack x 1
Modem	V.92 and V.90 Compliant x 1
Memory Stick Slot	Memory Stick Duo Slot (MagicGate compatible, Memory Stick PRO Duo compatible, High-speed data transfer compatible) ⁶
DC IN	x 1
Others	Docking Station Connector x 1
Wireless LAN	• Integrated Wireless LAN IEEE 802.11a/b/g ⁷ • Intel® PRO/Wireless 3945ABG Network Connection • Data rate: maximum 11Mbps (802.11b) / 54Mbps (802.11a/g) ⁸ • Frequency: 5GHz (802.11a), 2.4GHz (802.11b/g)
Bluetooth	Bluetooth standard Ver. 2.0+EDR
Compatible Memory Cards⁹	• Memory Stick (Standard/Duo Size, MagicGate, Memory Stick PRO) ¹⁰ • SD Memory Card ¹¹ • Multi Media Card • xD-Picture Card
PC Card Slot	• ExpressCard™/34 x1 • Type I/II x 1
Fingerprint Sensor	x 1
Security Chip	TCG Ver.1.2 compliant Trusted Platform Module (TPM)
Camera	• Effective Pixels: 640 x 480 • Image Device: 1/8" VGA CMOS • Lens: 2 elements in 2 groups, F4 • Focus distance: f=1.74mm
Audio	• DSD compatible high quality sound chip: "Sound Reality" (Intel® High Definition Audio compatible) • 3D audio (Direct Sound 3D support) • Built-in stereo speakers • Built-in monaural microphone
Keyboard / Input Device	• Approx. 19mm key pitch / 3.0mm keystroke • 86 keys • Intelligent Touchpad
Battery	Bundled Battery VGP-BPS2C Lithium-ion battery: up to 6.5 hours of use Optional Long Battery VGP-BPL2C Lithium-ion battery: up to 10 hours of use
Life¹²	
Dimensions (W x H x D)	315 x 21.8 - 32.6 x 234.3mm
Weight	1.69kg (including the supplied battery)
Included Software	• Video Edit/Playback: DVgate Plus 2.3, VAIO Video & Photo Utility 1.0, Adobe® Premiere® Elements 3.0 (Installer), VAIO Edit Components 6.1 (Installer), WinDVD for VAIO 8.0 • DVD Creation: Click to DVD 2.6 • Music: SonicStage CP 4.2, SonicStage Mastering Studio 2.3, SonicStage Mastering Studio Audio Filter 2.3 • Still Image/Photo: Windows® Photo Gallery, Adobe® Photoshop® Elements 5.0 (Installer) • Home Network: VAIO Media 6.0 • Tool: Roxio Easy Media Creator 9.0 (Installer), Adobe® Reader® 7, Norton Internet Security™ 2007 ¹³ • Utilities: VAIO Control Center 2.0, VAIO Camera Utility 2.0, VAIO HDD Protection 2.0, Infineon TPM Professional Package (Installer), Protector Suite QL 5.3 • Support: VAIO Recovery Utility, VAIO Update 3.0, VAIO Hardware Diagnostics 3.3
Supplied Accessories	• AC Adaptor (VGP-AC19V12) • Lithium-ion battery (VGP-BPS2C) ¹⁴ • Memory Card Adapter (VGP-MCA20)
Warranty	One year ¹⁵

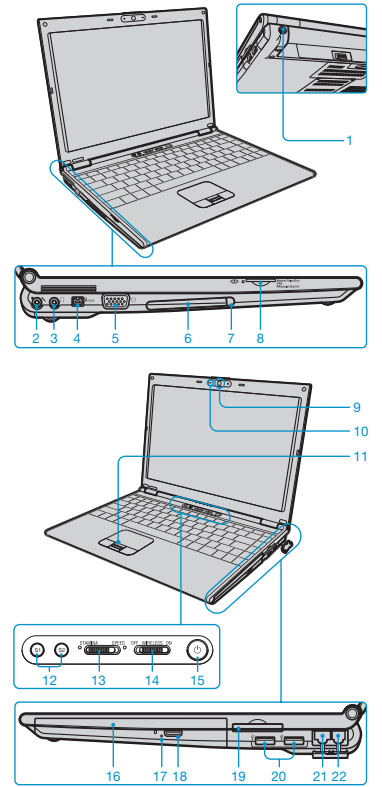
Features and specifications are subject to change without notice.

¹ CPU speed will be reduced under certain operating conditions. ² Intel® Virtualization Technology is not supported on VAIO. ³ If memory modules of the same capacity are installed to both of the two memory module slots, computer will run in dual channel mode and provide better performance. ⁴ Necessary data for recovery (setting back to initial shipment settings) in the hard disk drive consuming approximately 7GB in size is available separately. ⁵ Total Available Graphics Memory refers to the new Windows Vista classification of graphics memory, which is the total of Dedicated Video Memory, System Video Memory and Shared System Memory. ⁶ Compatibility confirmed with Sony branded "Memory Stick" media only. ⁷ The maximum communication distance can vary depending on the obstacles or the distance between the communication devices, the radio waves, the operating system or the software being used. ⁸ The communication speed varies depending on the distance between communication devices, existence of obstacles between such devices, the device configuration, the radio conditions, and the software in use. In addition, communication may be cut off depending on the radio conditions. ⁹ Including cards that can be inserted in direct slots and the supplied memory card adapter (VGP-MCA20). ¹⁰ As for the Memory Stick PRO media, only Sony branded media is recommended to use with the Memory Card Adapter (VGP-MCA20). ¹¹ The copyright protection and high-speed data transfer features of the SD memory card are not supported (VGP-MCA20). Not compatible with SD Memory Cards of more than 2GB capacity such as SDHC Memory Card. ¹² Estimated battery life (under JETA Battery Run Time Measurement Method ver. 1.0). Actual battery life may vary with different operating conditions and settings. Estimated battery life at "SPEED MODE" will be approximately 1.5 hours shorter for VGP-BPS2C and approximately 2.0 hours shorter for VGP-BPL2C. For further details, please visit vaio-online.sony.com ¹³ Free use of 90 days. Further update will be charged. ¹⁴ This product may only function with a genuine Sony battery designed for this model. ¹⁵ Warranty conditions may vary by region.

The trademarks, including but not limited to "SONY", "VAIO", "Memory Stick" and "SonicStage" are either trademarks or registered trademarks of Sony Corporation and/or its subsidiaries. Adobe, Adobe Photoshop, Adobe Reader and Adobe Premiere are trademarks of Adobe Systems Incorporated in the United States and/or other countries. Intel, the Intel logo, Centrino and the Centrino logo, Intel Core and Core Inside, are trademarks or trademarks of Intel Corporation or its subsidiaries in the United States and other countries. Windows, Windows Vista and the Windows logo are trademarks or registered trademarks of Microsoft Corporation in the United States and/or other countries. All other product and brand names may be trademarks or registered trademarks of their respective owners. Whilst information given is true at time of printing, small production changes in the course of our company's policy of improvement through research and design might not necessarily be included in the specifications. E&OE. Actual models may differ slightly in appearance to illustrations provided.

Sony recommends Windows Vista™ Business.

VGN-SZ483N/C



1. DC-IN connector
2. Microphone jack (stereo mini)
3. Headphone jack (stereo mini)
4. i.LINK (IEEE 1394) S400 (4-pin) connector
5. Monitor connector (Analogue RGB, mini D-SUB 15-pin)
6. PC Card Slot (Type I/II x 1)
7. PC Card eject button
8. Memory Stick Duo slot (MagicGate compatible, Memory Stick PRO Duo compatible, High-speed data transfer compatible)
9. Built-in camera MOTION EYE
10. Built-in monaural microphone
11. Fingerprint Sensor
12. Shortcut buttons
13. Performance selector switch
14. Wireless LAN switch
15. Power button
16. DVD±RW/±R DL/RAM Drive
17. Manual eject hole
18. Disc eject button
19. ExpressCard™/34 slot
20. USB 2.0 connector (x2)
21. Network (RJ-45) connector (100BASE-TX/10BASE-T)
22. Modular (RJ-11) connector

Optional Accessories for VGN-SZ483N/C (availability depends on region)

<p>VGP-PRSZ1 Docking Station</p> <ul style="list-style-type: none"> • Monitor connector • Network connector • USB 2.0 connector (x3) 	<p>VGP-CKSZ1 Carrying Case</p> <ul style="list-style-type: none"> • Integrated "VAIO Smart Protection™" for PC cushion • Solid design matching VAIO SZ 	<p>VGP-BMS33 Silver (S), Black (B) Bluetooth® Laser Mouse</p> <ul style="list-style-type: none"> • Smart wireless mouse for mobile use • Highly accurate laser sensor 
<p>VGP-BPL2C Lithium-ion Battery (L)</p> <ul style="list-style-type: none"> • Rechargeable battery • Up to 10 hours of use¹² 	<p>VGP-CP8 VAIO Carrying Pouch</p> <ul style="list-style-type: none"> • Accommodates large-capacity battery • Supplied mini-pouch for accessories 	<p>VGP-UMS55 Silver (S), Black (B) USB Laser Mouse</p> <ul style="list-style-type: none"> • Ergonomic design naturally fits your hand • Highly accurate laser sensor 

vaio-online.sony.com

like.no.other

VAIO
no more bounds



Premier mobility meets executive excellence

VGN-SZ483N/C

VAIO SZ483N/C is a synergy of outstanding features integrating advanced technology like innovative Intel® Centrino® Duo Processor Technology (incorporating the newest Intel® Core™2 Duo Processor), Sony's unique graphics technology, carbon display cabinet, and enhanced security. Mobile performance has rarely been so refined. 13.3" wide Clear Bright LCD and full-pitched, full-sized keyboard increase ease and efficiency with plenty of space to work and play. Set in Carbon Black colour and enhanced by premium aluminium hairline palm rest, sophisticated design details create a style suited for any occasion. Look inside and out, and you'll see why VAIO SZ483N/C is Sony's flagship mobile notebook: a trim 13.3" wide size — not too small or big — to meet business needs and other interests in a variety of environments.



■ Ultra-slim display ■ MOTION EYE camera centred on a thin LCD bezel ■ Built-in Fingerprint Sensor ■ Black VAIO hairline logo

✦ Main features

Light & Robust: Carbon Display Cabinet	Beautiful viewing: Clear Bright LCD (White LED)	Built-in Camera: MOTION EYE	Light for its size: 1.69kg	Network freedom: Wireless LAN 802.11a/b/g / Bluetooth®	Handy presentation: Plug & Display	Instant ID recognition: Fingerprint Sensor
Assured security: TPM Security Chip / Hard Disk Password	Comfortable typing: Full-pitched Keyboard	Content sharing: Memory Stick Duo Slot	Broad media capability: Memory Card Adapter	High quality sound: Sound Reality Audio Chip		

✦ Basic specifications

Intel® Core™2 Duo Processor T7400 (2.16GHz)	Genuine Windows Vista™ Business	13.3" WXGA 1280 x 800	NVIDIA® GeForce® Go 7400 GPU	DVD±RW/±R DL/RAM Drive	Memory 2GB	Hard Disk Drive 160GB
---------------------------------------------	---------------------------------	-----------------------	------------------------------	------------------------	------------	-----------------------

Mobile advancement in a 13.3" wide size

VAIO SZ483N/C's 13.3" wide size offers optimum display space for efficient business use or movies. Open an application window with a task menu, or two in horizontal layout. Also efficient are the latest operating system, Windows Vista™ Business, and features offering the latest technology. Advanced Intel® Centrino® Duo Processor Technology ensures extremely smooth and powerful mobile performance incorporating the newest Intel® Core™2 Duo Processor T7400 (2.16GHz) leading chipset (Intel® 945GM Express Chipset) supported by FSB 667MHz, and Intel® PRO/Wireless 3945ABG Network Connection. Moreover, performance is further enhanced by an ample 2GB of DDR2 (533MHz) Sony's unique Hybrid Graphic System offers a choice of external NVIDIA® GeForce® Go 7400 GPU or internal graphics accelerator. Use SPEED MODE for 3D games, video playing or editing, and STAMINA MODE for various mobile scenes.



Mobile-conscious profile

VAIO SZ483N/C's ultra-slim display is simply amazing. This extraordinary thinness comes from the white LED, one of the latest display technologies used in the VAIO SZ483N/C LCD backlight. Combined with carbon fibre used in the display cabinet, the display thins down to a mere 5.1mm. Maintaining a weight-conscious profile for trim portability, VAIO SZ483N/C carries the built-in MOTION EYE camera centred on the upper LCD bezel. Pairing white LED technology and carbon material is how VAIO SZ483N/C stays slim and light.

Security for assured mobility

VAIO SZ483N/C has many security features to prevent unauthorised access and ensure your mobile PC lifestyle. Hard Disk Password protects sensitive HDD data for one level of security. The biometric fingerprint sensor allows for another, with easy yet unmistakable ID recognition, circumventing the need for passwords. Further data protection for your VAIO SZ483N/C comes from secure encryption and decryption of files and folders via the Trusted Platform Module (TPM) security chip and bundled software utility.

Mobile endurance

For powerful mobile performance, long-lasting stamina is essential. VAIO SZ483N/C offers up to 6.5 hours* with standard battery VGP-BPS2C, up to 10 hours* with optional battery VGP-BPL2C. Fast and smooth mobility comes from VAIO SZ483N/C's compatibility with wireless LAN standards IEEE 802.11a, IEEE 802.11b and IEEE 802.11g (Wi-Fi). And, by sensing shakes or shocks and securing the HDD, VAIO HDD Protection with integrated 3D acceleration sensor prevents important data loss.

* Estimated battery life (under JEITA Battery Run Time Measurement Method ver.1.0). Actual battery life may vary with different operating conditions and settings. Estimated battery life at "SPEED MODE" will be approximately 1.5 hours shorter for VGP-BPS2C and approximately 2 hours shorter for VGP-BPL2C.

Communication advantages + AV

VAIO SZ483N/C features advanced mobile PC communication with built-in MOTION EYE camera and mic. Simply turn on MOTION EYE for convenient videoconferencing. Or use Bluetooth®-compatible headsets with applications for smooth voice communication. VAIO SZ483N/C also features versatile audiovisual capabilities. Sony's Sound Reality audio chip takes sound performance to a superior level. And SonicStage Mastering Studio Audio Filter with 4 exclusive sound presets works superbly with specially recommended headphones*. With VAIO SZ483N/C's DVD±RW/±R DL/RAM Drive, archiving your digital masterpieces like home videos, edited movies, or photos couldn't be smoother. For flexible editing capability, take advantage of the integrated Memory Stick Duo slot and ExpressCard™/34 slot plus bundled Memory Card Adapter. Communicate, create, and listen with VAIO SZ483N/C!

Recommended headset



Sony Ericsson HBH-PV705*

Powerful Software for creative minds.

VIDEO & PHOTO

- Click to DVD**
Create video and photo DVDs on DVD±RW/±R DL or DVD-RAM discs in one click, with 5.1 surround sound.
- VAIO Video & Photo Utility**
Import and export a wide range of AV files simply and smoothly for playback and editing.
- Adobe® Premiere® Elements**
Enjoy advanced editing of videos, photos, and music with this renowned software.
- Adobe® Photoshop® Elements**
Add a personal touch to your prized still images and present them effectively to your friends.
- Roxio Easy Media Creator**
Back up audio, image, and data files on CDs and DVDs with ease for personal archiving.

WinDVD for VAIO / Windows® Photo Gallery

MUSIC

- SonicStage CP**
Import the music you like from various sources, create your own playlists and send your music to a Walkman.*
- SonicStage Mastering Studio**
Convert analogue music to digitally enhanced audio** with high-quality effector modules.
- SonicStage Mastering Studio Audio Filter**
Enhance any audio content played on VAIO laptop PCs and enjoy it with excellent headphone presets.

SUPPORT

- VAIO Update**
Alerting you to important changes via Internet that appear as reminder balloons on your desktop.***
- Norton Internet Security™ 2007**
Highly effective monitoring for viruses and spyware helps keep computing secure.****

VAIO Recovery Utility / VAIO Hardware Diagnostics



* Availability depends on region.
** Roland EDIROL AUDIO capture UA-25* or UA-101* USB audio interface device required.
*** Internet connection required for use.
**** Free use of 90 days. Further update will be charged.
Note: Any copying or reproduction of copyrighted material may amount to copyright infringement. Song titles, names of artists and other information shown in the SonicStage CP screen capture are provided for illustrative purposes only.